

# REMFORM® II™ "F" SCREWS

For Magnesium, Aluminum &  
High Reinforced Plastics



## REMFORM® II™ "F" Screws

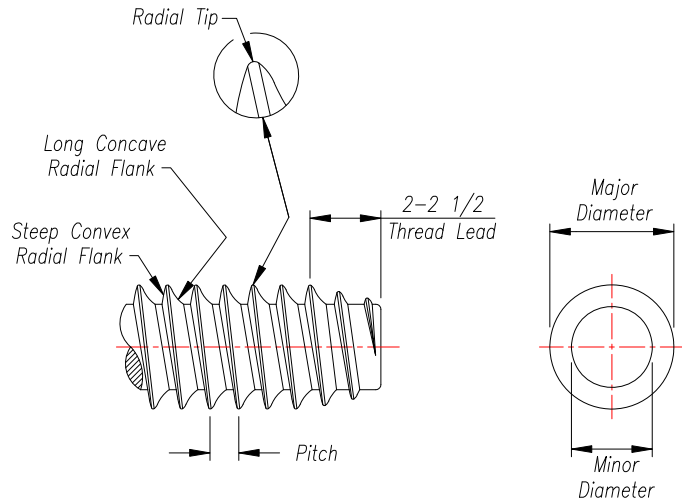
**Designed Primarily for Magnesium Applications**

The REMFORM® II™ "F" screw utilizes the efficient thread form of the standard REMFORM® II™ fastener, but employs finer thread pitch spacing to suit magnesium, soft aluminum, thermoset plastics, and other low ductility materials. The narrow tip angle minimizes the disturbance of a low ductility nut member. The finer thread spacing of REMFORM® II™ "F" screws is advantageous in thermoplastic applications where the length of engagement is less than optimal.

**Leaders in Lowering the Cost of Assembly**

# REMFORM® II™ "F" SCREWS

## SCREW DIMENSIONS



### Metric Series

SIZE mm	PITCH mm	MAJOR DIA.		MINOR DIA.
		Max.	Min.	Min.
1.0	0.30	1.07	1.00	0.68
1.2	0.40	1.27	1.20	0.81
1.4	0.45	1.47	1.40	0.95
1.6	0.50	1.70	1.60	1.08
1.8	0.55	1.90	1.80	1.22
2.0	0.60	2.10	2.00	1.33
2.2	0.70	2.30	2.20	1.47
2.5	0.70	2.60	2.50	1.68
3.0	0.80	3.10	3.00	2.02
3.5	0.95	3.60	3.50	2.37
4.0	1.05	4.10	4.00	2.71
5.0	1.25	5.15	5.00	3.40
6.0	1.40	6.15	6.00	4.09
7.0	1.55	7.15	7.00	4.78
8.0	1.75	8.15	8.00	5.46
10.0	2.25	10.15	10.00	6.82

Dimensions in mm



### Inch Series

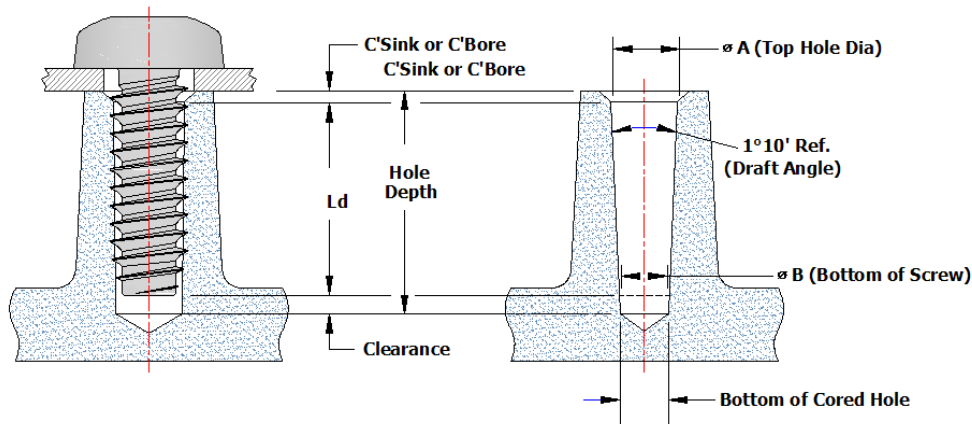
SIZE	PITCH TPI	MAJOR DIA.		MINOR DIA.
		Max.	Min.	Min.
2	40	0.088	0.084	0.057
4	32	0.114	0.110	0.074
6	27	0.139	0.135	0.092
8	24	0.167	0.161	0.109
10	21	0.193	0.187	0.127
12	19	0.218	0.212	0.144
1/4	17	0.253	0.247	0.168
5/16	14	0.316	0.309	0.209

Dimensions in inches

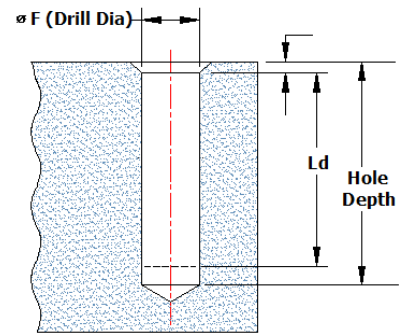
# REMFORM® II™ "F" SCREWS

## HOLE SIZES FOR DIE CAST HOLES

### CAST CORED HOLE



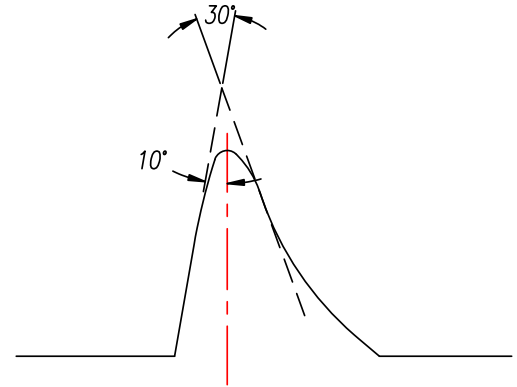
### DRILLED HOLE



Screw Size	Cored Hole Diameters				F Drilled Hole Diameter		Ld Recommended Length Of Thread Engagement
	Ø A - Top of Cored Hole		Ø B - Bottom of Screw Engagement		Max.	Min.	
	Max.	Min.	Max.	Min.	Max.	Min.	
1.00 - 0.30	0.95	0.91	0.90	0.86	0.93	0.89	2.50
1.20 - 0.40	1.14	1.09	1.07	1.02	1.10	1.05	3.00
1.40 - 0.45	1.32	1.26	1.25	1.19	1.28	1.22	3.50
1.60 - 0.50	1.52	1.45	1.44	1.37	1.47	1.40	4.00
1.80 - 0.55	1.70	1.63	1.60	1.53	1.64	1.57	4.50
2.00 - 0.60	1.87	1.79	1.77	1.69	1.82	1.74	5.00
2.20 - 0.70	2.04	1.96	1.93	1.85	1.99	1.91	5.50
2.50 - 0.70	2.32	2.24	2.19	2.11	2.26	2.18	6.25
3.00 - 0.80	2.78	2.70	2.62	2.54	2.70	2.62	7.50
3.50 - 0.95	3.22	3.14	3.04	2.96	3.13	3.05	8.75
4.00 - 1.05	3.68	3.60	3.47	3.39	3.57	3.49	10.00
5.00 - 1.25	4.61	4.53	4.36	4.28	4.49	4.41	12.50
6.00 - 1.40	5.53	5.45	5.22	5.14	5.38	5.30	15.00
7.00 - 1.55	6.46	6.38	6.10	6.02	6.28	6.20	17.50
8.00 - 1.75	7.36	7.28	6.95	6.87	7.16	7.08	20.00
10.00 - 2.25	9.17	9.09	8.66	8.58	8.91	8.83	25.00

## The Unique Radius Flank™ Thread Form

REMFORM® II™ "F" screws employ the Unique Radius Flank™ asymmetrical thread form shown in the drawing to the right. The leading thread flank is most influential in forming the mating thread. The intercepting radius form on the leading flank is there to promote efficient material displacement and material flow. The pressure flank which opposes the fastener head is engineered to resist pull-out forces, whether they be applied by a tensile load or induced by torque. The steep pressure flank has a subtle radius designed to increase resistance to pullout and to efficiently develop tension. It also provides excellent material contact resulting in a high resistance to the internal threads stripping. In applications where the failure mode is fastener fracture, the high torsional strength of REMFORM® II™ "F" fasteners ensures a high failure torque. This unique thread and its narrow tip angle efficiently displace material and therefore require minimal energy to form an internal thread. The tip also utilizes a radius to better create the internal thread without increasing hoop stress in the plastic.



The REMFORM® II™ "F" asymmetrical Unique Radius Flank™ thread form has the thread-forming advantages of a 30° thread, without the difficulty of manufacturing a 30° thread.

### DISCLAIMER CLAUSE

The values shown in this brochure are for guidance only. Their use and reliance thereon for any purpose by anyone is entirely voluntary and at the sole risk of the user. REMINC/CONTI are not responsible for any loss, claim or damage resulting from their use. Consult our application engineers or the application engineering department of one of our many qualified producers for your specific application data.

### TECHNICAL ASSISTANCE

This brochure contains basic information needed to achieve the cost-savings potential of REMFORM® II™ "F" fasteners.

To obtain further assistance and a list of qualified producers, visit our website at [www.remform.com](http://www.remform.com) or contact REMINC or CONTI.

### SPECIFY GENUINE PRODUCTS

Make sure you're getting genuine REMINC/CONTI design, engineering, quality, reliability and performance. Only genuine REMINC/CONTI products meet the rigorous standards created by REMINC/CONTI.

Patents and trademarks issued and/or pending worldwide.



CONTI Fasteners AG  
Albisstrasse 15, 6340 Baar (ZG) Switzerland  
Tel: +41 (0)41/761 58 22 Fax: +41 (0)41/761 3018  
[www.tapitite.com](http://www.tapitite.com)  
Email: [conti@contifasteners.ch](mailto:conti@contifasteners.ch)



Research Engineering & Manufacturing Inc.  
55 Hammarlund Way, Tech II, Middletown, RI USA 02842  
Tel: +1-401-841-8880 Fax: +1-401-841-5008  
[www.tapitite.com](http://www.tapitite.com)  
Email: [reminc@reminc.net](mailto:reminc@reminc.net)